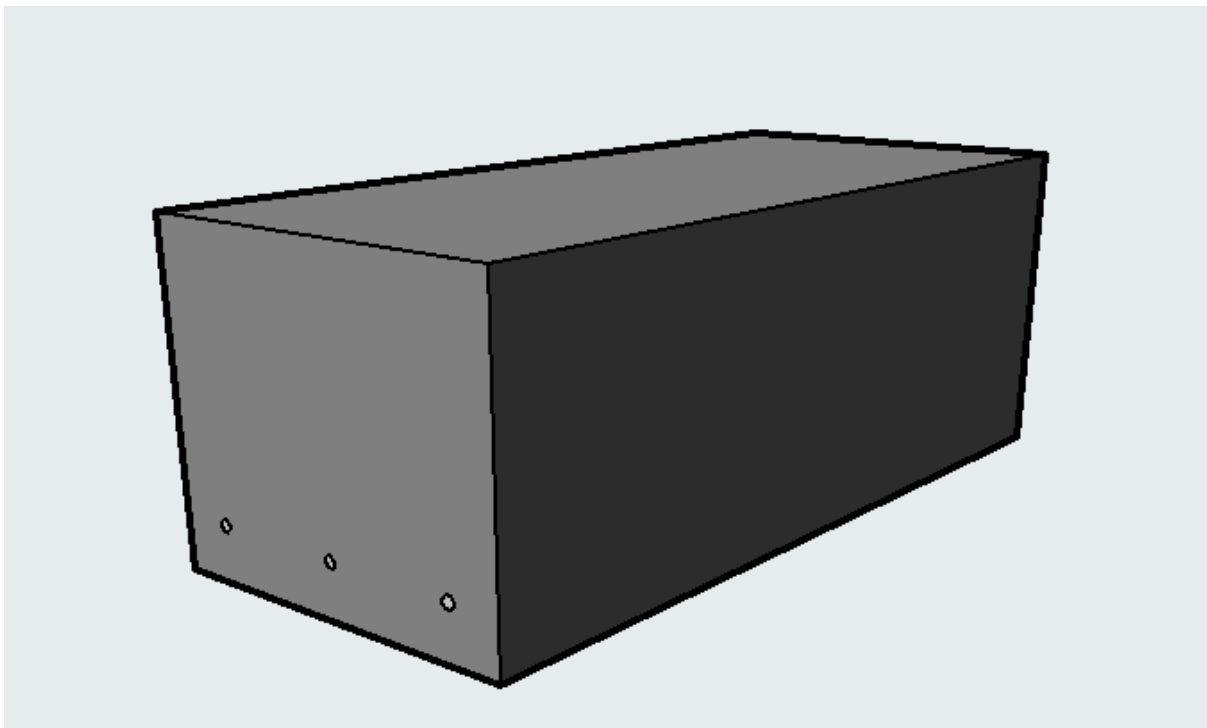


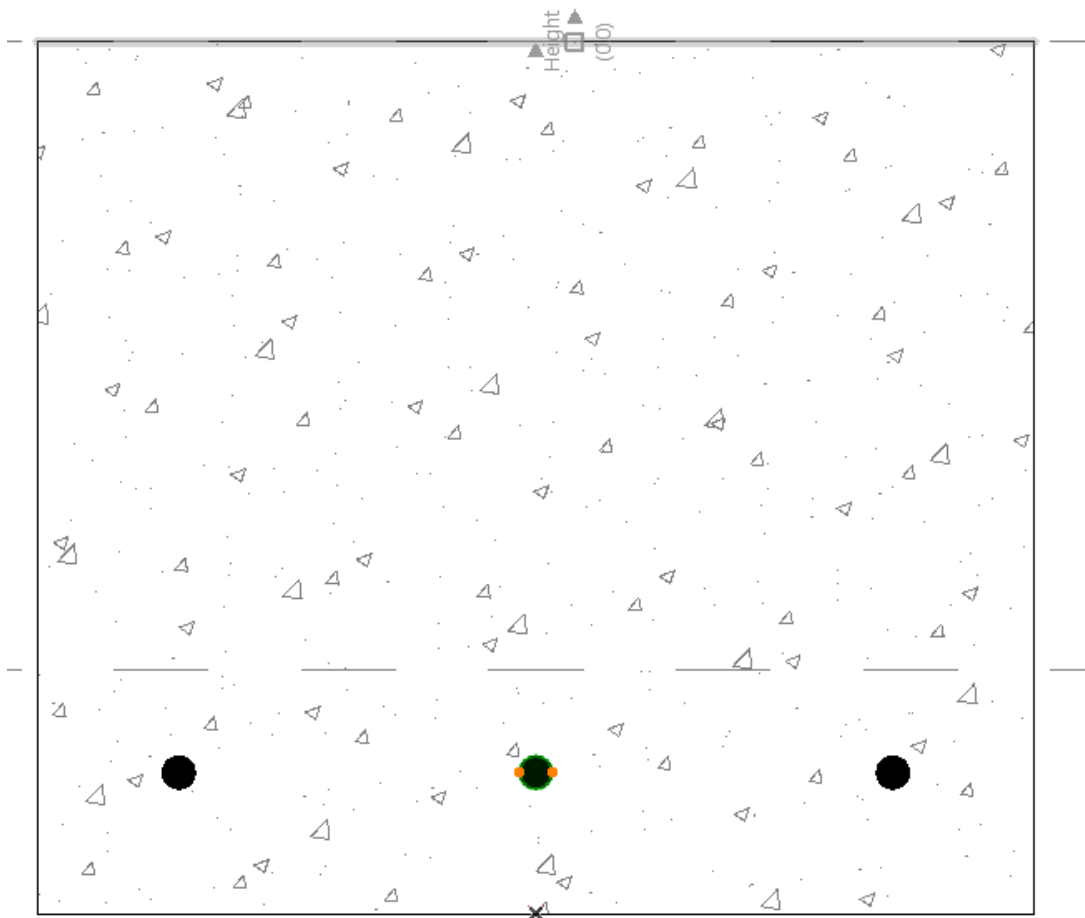
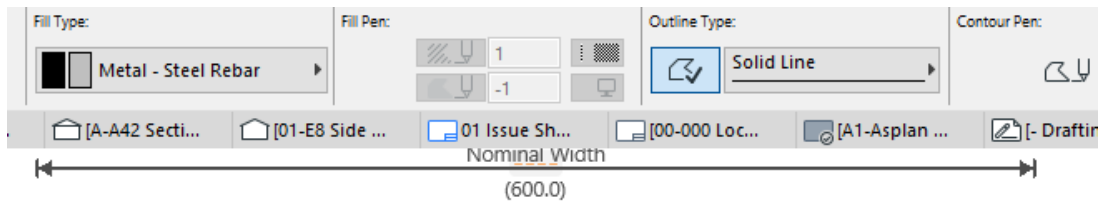
3D wireframe view



3D Shaded View

Components by Elements				
Element ID	Component Name	Thickness [m]	Area [m2]	Volume [m3]
, Foundation Concrete 600mm				
	Concrete - In Situ	---	---	0.41
	Metal - Steel Rebar	---	---	0.00
Foundation Concrete 600mm, Foundation Concrete 600mm				
	Concrete - In Situ	---	---	0.41
	Metal - Steel Rebar	---	---	0.00

Schedule can see it but no quantity or size given



Profile view and yes I have cut the concrete out where the rebar is shown